

Date _____

Name _____

Client _____

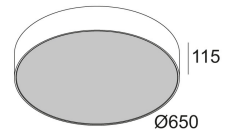
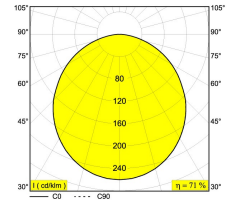
Project name _____

Quote# _____

Type/Quantity _____

SUPERNOVA 6528 DIM1
274 95 6528 ED1

[Weblink](#)



Available colors: BLACK (274 95 6528 ED1 B)
WHITE (274 95 6528 ED1 W)

INCL.PC SBL
INCL.LED CLUSTERS 46W / CRI>80 / 3000K / 6160lm
INCL.1 x LED POWER SUPPLY 350mA DIM 1
DIMMING BY 1-10V CONTROL

LED Technics: Light source: 6160 lm // 46 W // 134 lm/W
Luminaire: 4382 lm // 53 W // 83 lm/W

120-240V / 50-60Hz

Class: I

Weight: 6.7 KG
Protection level: IP20
Minimum distance: n.a.

Options: SUSPENSION SET 18 DIM1 3m
CABLE BASE R / S + COVERSET R / S
CENTRAL ROD SUSPENSION
SUPERNOVA 65 RECESSED KIT
DALI 1-10V CONVERTER

For detailed installation instructions, please consult the manual. [274_95_6528_HAND.pdf](#)

SUPERNOVA 6528 DIM1
274 95 6528 ED1

Related references

CONTROL GEAR, BALLAST AND TRANSFORMERS

[Weblink / Specsheet](#)

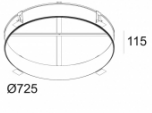


WIRELESS CONTROL 5A DIM1
300 90 016 ED1
100-240V / 50-60Hz

Related references

RECESSED KITS

[Weblink / Specsheet](#)

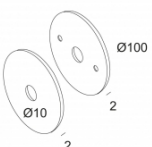


SUPERNOVA 65 RECESSED KIT
274 94 0710

Related references

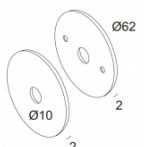
COVERSETS

[Weblink / Specsheet](#)



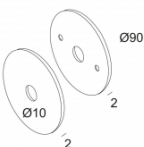
COVERSET R 100
204 00 100

[Weblink / Specsheet](#)



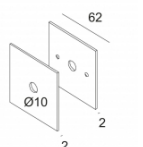
COVERSET R 62
204 00 62

[Weblink / Specsheet](#)



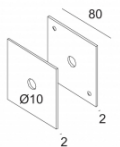
COVERSET R 90
204 00 90

[Weblink / Specsheet](#)



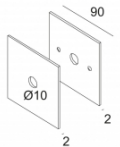
COVERSET S 62
204 62 62

[Weblink / Specsheet](#)



COVERSET S 80
204 80 80

[Weblink / Specsheet](#)



COVERSET S 90
204 90 90

Related references

SUSPENTION PARTS

[Weblink / Specsheel](#)

Ø57
41

CABLE BASE R
203 99 55

[Weblink / Specsheel](#)

57 57
41

CABLE BASE S
203 99 56

[Weblink / Specsheel](#)

Ø98 30
Ø15 1000

CENTRAL ROD SUSPENSION 65 1m
328 24 61

[Weblink / Specsheel](#)

SUSPENSION SET 18 DIM1
3m
328 18 43 ED1



Specification Sheet

SUPERNOVA 6528 DIM1
274 95 6528 ED1

Related project picture of product family:

